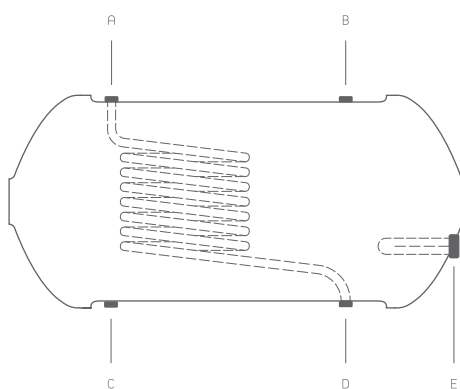


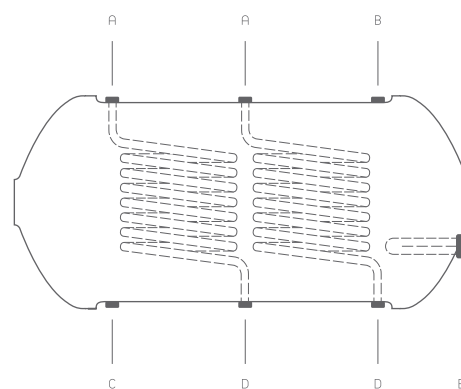
Cylinder Reference Number	B.S. Ref.	Net Capacity Volume	Max Operating Temp	Dimensions Exc. Insulation (mm)	Height from ground of screwed connections		
					(D)	(C&E)	(F)
EP 72	1	72 Ltrs	1.0 Bar	900x350mm	700mm	100mm	400mm
EP 96	2	96 Ltrs	1.0 Bar	900x400mm	700mm	100mm	400mm
EP 114	3	114 Ltrs	1.0 Bar	1050x400mm	800mm	100mm	470mm
EP 84	4	84 Ltrs	1.0 Bar	675x450mm	450mm	100mm	300mm
EP 95	5	95 Ltrs	1.0 Bar	750x450mm	550mm	100mm	340mm
EP 106	6	106 Ltrs	1.0 Bar	825x450mm	625mm	100mm	370mm
EP 117	7	117 Ltrs	1.0 Bar	900x450mm	700mm	100mm	400mm
EP 120*		120 Ltrs*	1.0 Bar	900x450mm			
EP 140	8	140 Ltrs	1.0 Bar	1050x450mm	800mm	100mm	470mm
EP 144*		144 Ltrs*	1.0 Bar	1050x450mm			
EP 162	9	162 Ltrs	1.0 Bar	1200x450mm	950mm	100mm	540mm
EP 166*		166 Ltrs*	1.0 Bar	1200x450mm			
EP 206	9E	206 Ltrs	1.0 Bar	1500x450mm	1200mm	100mm	620mm
EP 210*		210 Ltrs*	1.0 Bar	1500x450mm			
EP 190	10	190 Ltrs	1.0 Bar	1200x500mm	950mm	150mm	540mm
EP 245	11	245 Ltrs	1.0 Bar	1500x500mm	1200mm	150mm	670mm
EP 280	12	280 Ltrs	1.0 Bar	1200x600mm	950mm	150mm	540mm
EP 360	13	360 Ltrs	1.0 Bar	1500x600mm	1200mm	150mm	670mm
EP 440	14	440 Ltrs	1.0 Bar	1800x600mm	1350mm	150mm	800mm

* To suit 'Off Peak' electric heating systems.

Indirect Single Coil

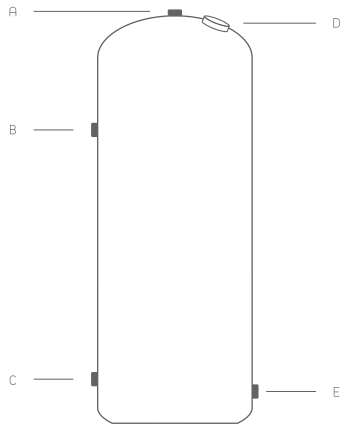


Indirect Twin Coil

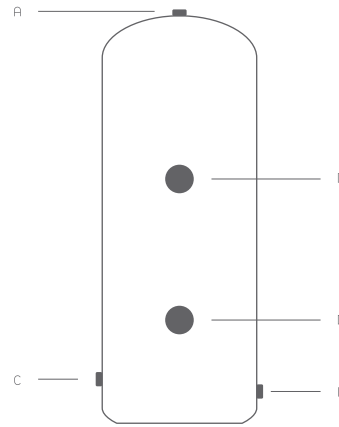


A - Flow C - Cold feed E - Immersion
 B - Hot out D - Return

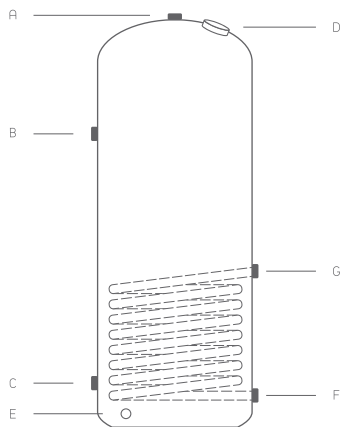
Direct cylinder



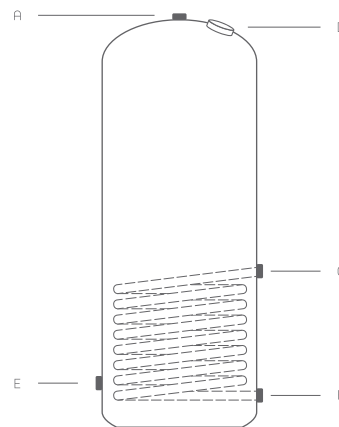
Direct economy 7 / E.S.B. Gold Shield



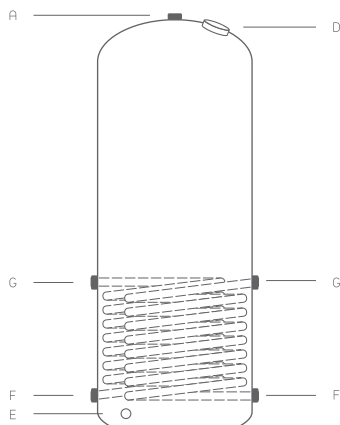
Indirect / direct



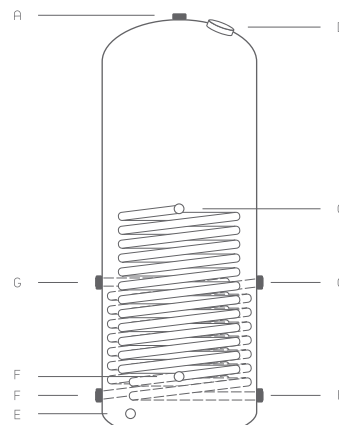
Indirect



Indirect twin coil



Indirect triple coil



A - 1" Female hot out
B - Direct flow or back boiler connection

C - Direct return connection
D - 2 1/4" Immersion boss
E - Cold feed

F - Coil return
G - Coil flow